

# SEALING AND COVER PROFILES FOR EXTENSION SPRINGS EXT

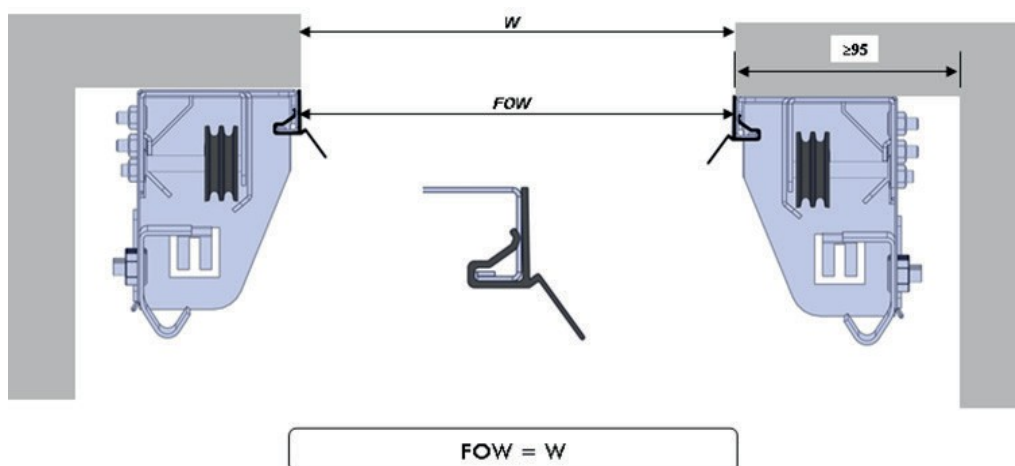
Dear customer,

We would like to inform you about the changes concerning the sealing of the door with extension springs. For better illustration, we will describe all types of installation of the door below together with their standard sealing and possible opportunities of optional alternatives. It will be possible to place purchase orders according to the scheme described below from the manufacturing week 1/2017.

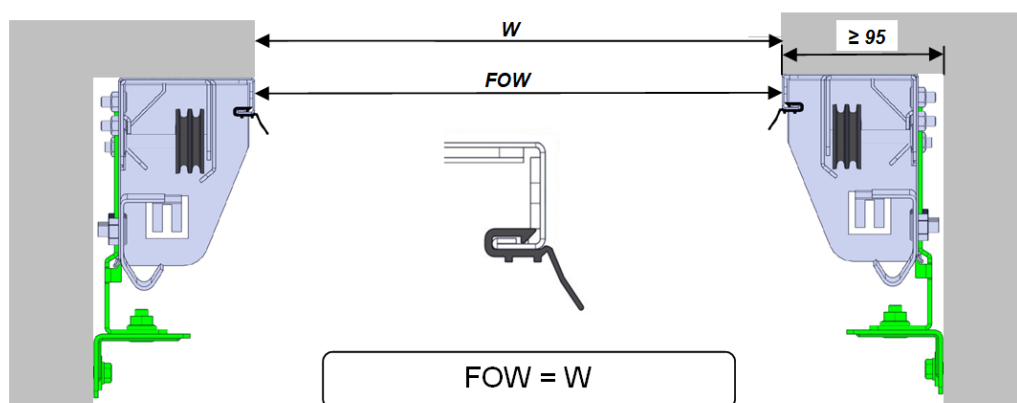
## VERTICAL TRACKS (GALVANIZED AS A STANDARD), COVER PROFILES "J" AND "L" (PAINTED TO RAL 9010 AS A STANDARD)

- **Side room  $\geq 95$  mm**

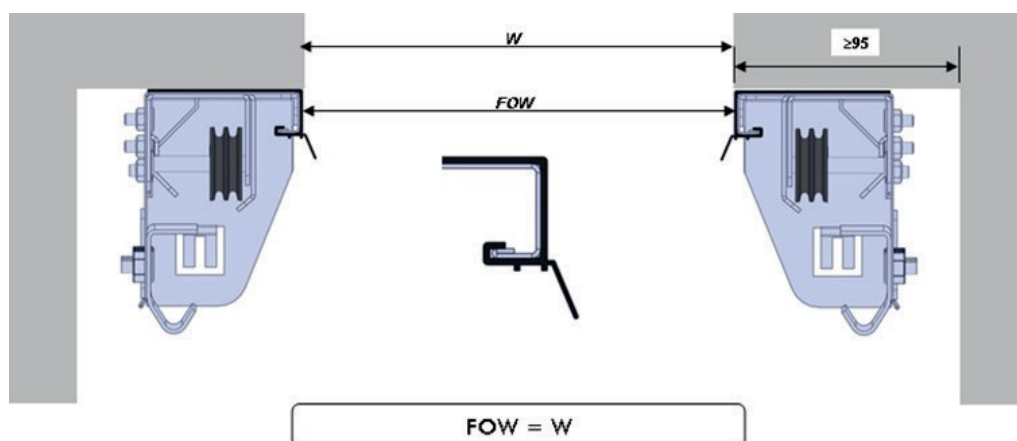
Standard – Standard vertical sealing for sets 1875, 2000, 2125, 2250, 2375, 2500, 2625.



Standard – Standard vertical sealing for REN sets 1955 and 2080.

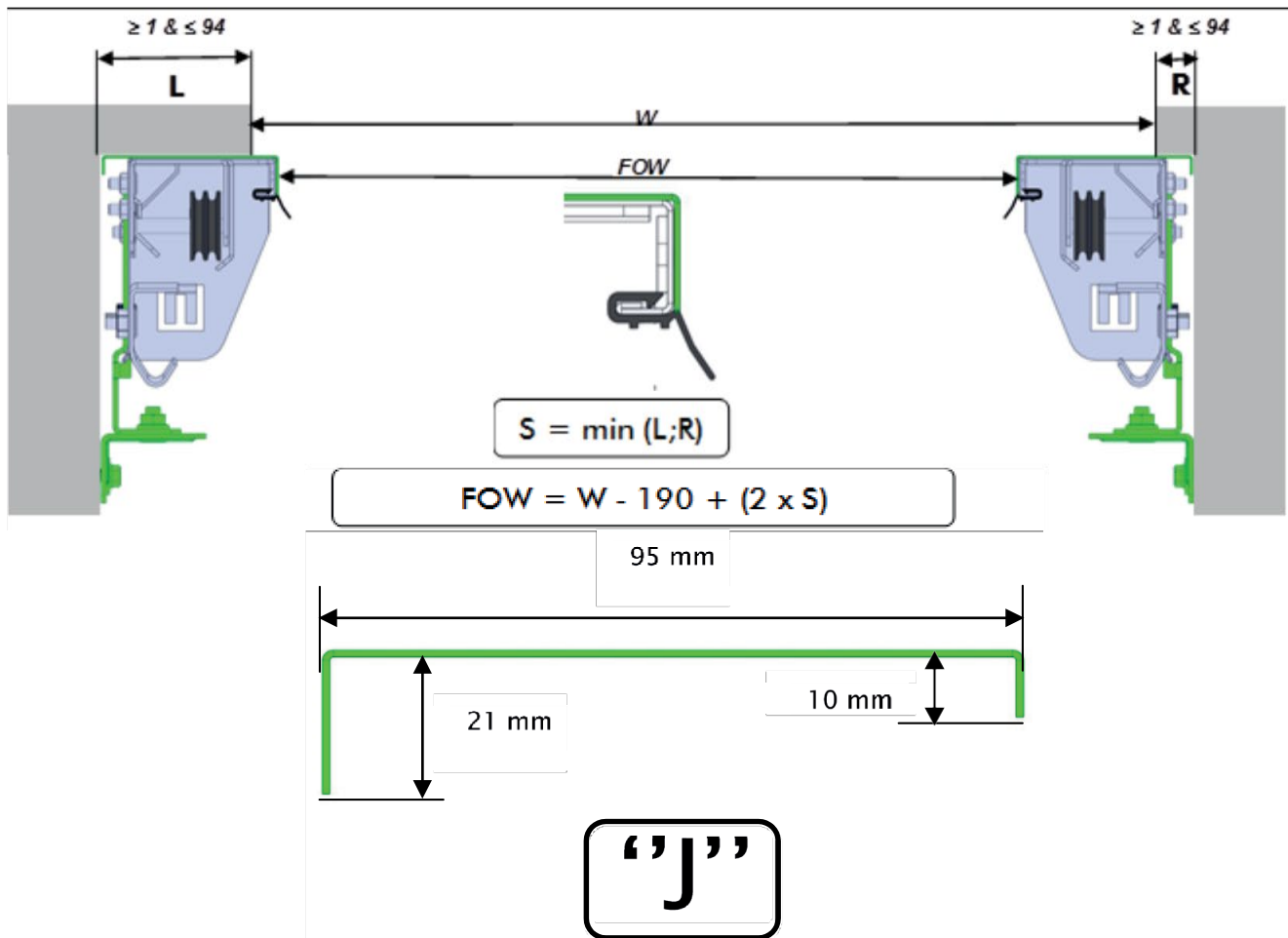


Optional – Vertical sealing with broken thermal bridge.

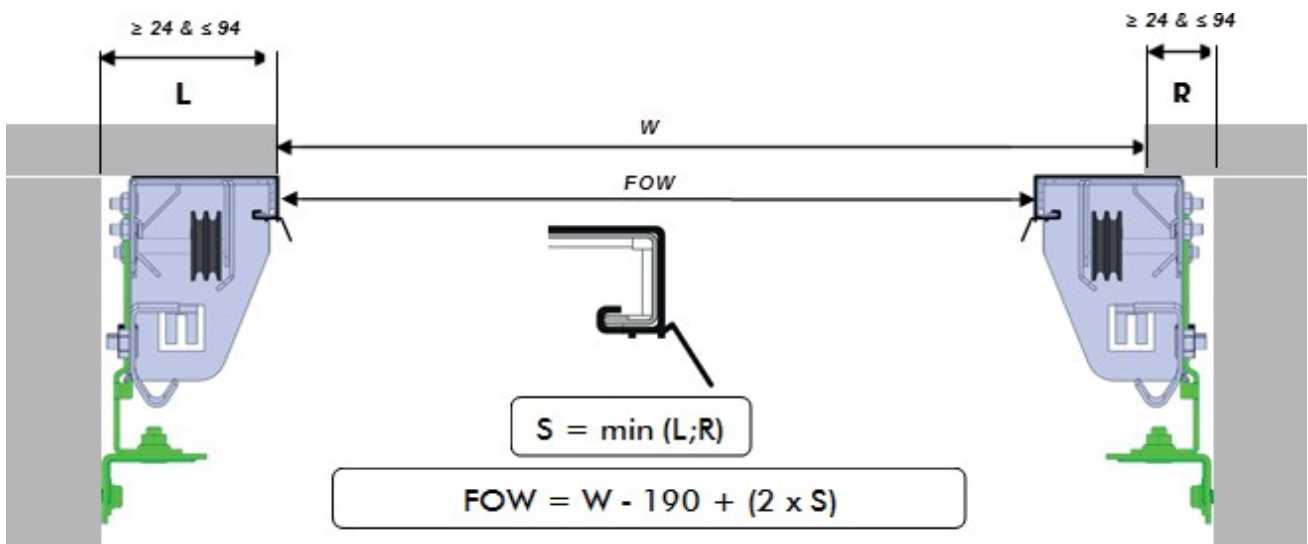


o Side room from 1 mm to 94 mm

Standard – Vertical cover profile “J” with low sealing.

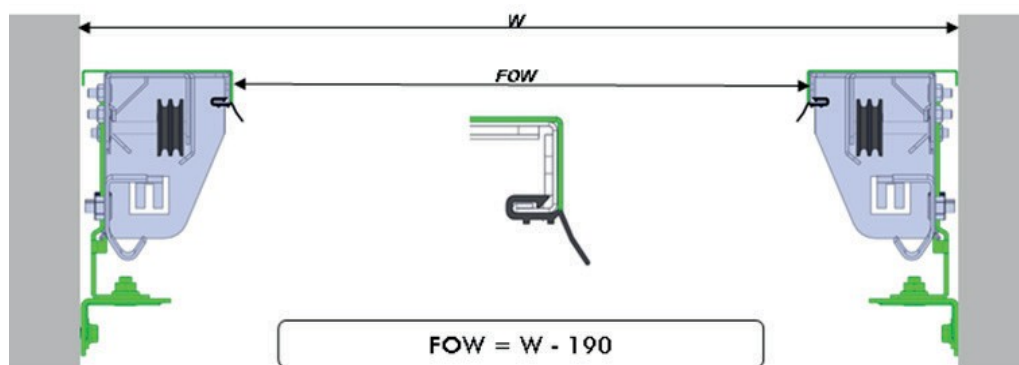


Optional – in case of the side room from 24 mm to 94 mm, it is possible to use vertical sealing with broken thermal bridge.

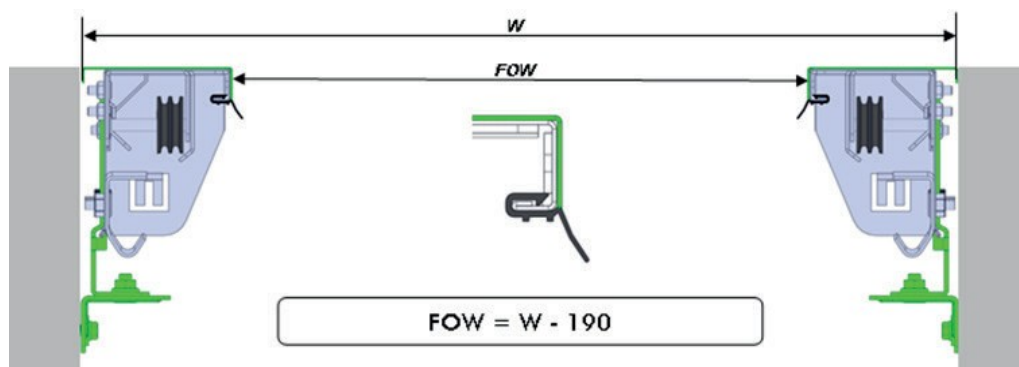


- **Without side room**

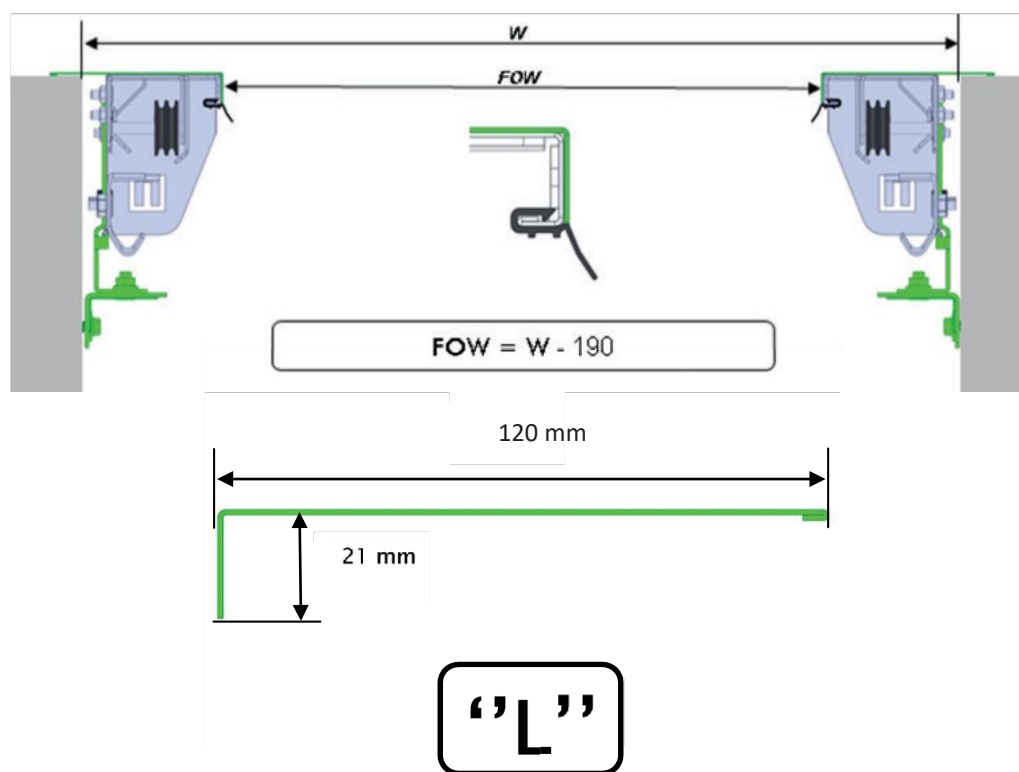
Standard – Vertical cover profile "J" with low sealing. Installation into opening.



Standard – Vertical cover profile "J" with low sealing. Installation to match the façade of the house.

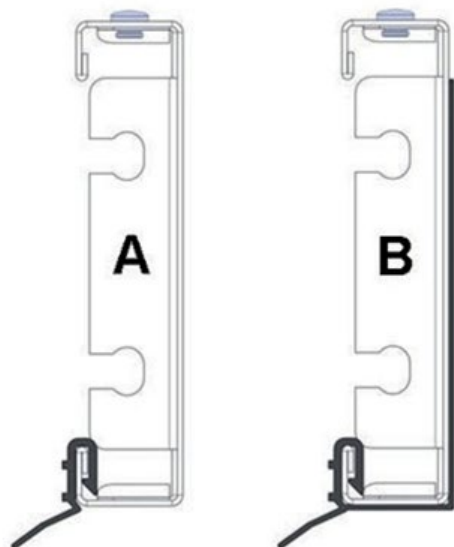


Optional – Vertical cover profile "L" with low sealing. Installation to match the façade of the house.



## HORIZONTAL LINTEL PROFILE (PAINTED TO RAL 9010 AS A STANDARD)

Horizontal low sealing is used for all types of installation of the extension springs as a standard. As an option, it is possible to deliver horizontal sealing with broken thermal bridge or horizontal sealing covering the bottom edge of the lintel profile. <sup>1\*3\* 4\*</sup>



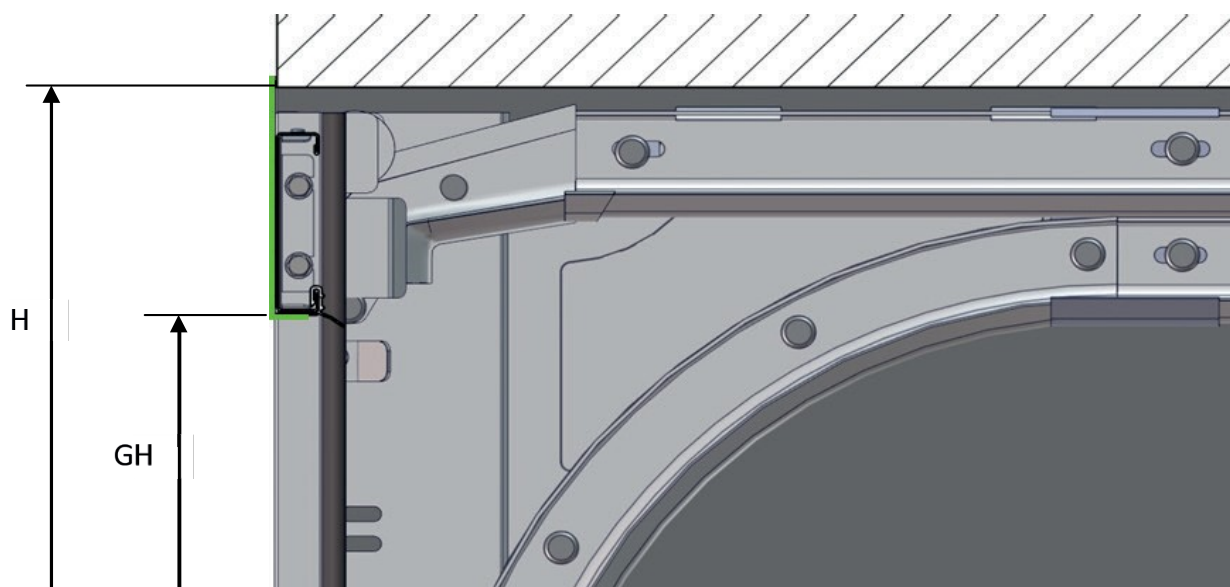
- A- Horizontal low sealing (standard)
- B- Horizontal sealing with broken thermal bridge (optional)

## EXAMPLES OF PLACEMENT OF THE COVERING HORIZONTAL "L" PROFILE (PAINTED TO RAL 9010 AS A STANDARD)

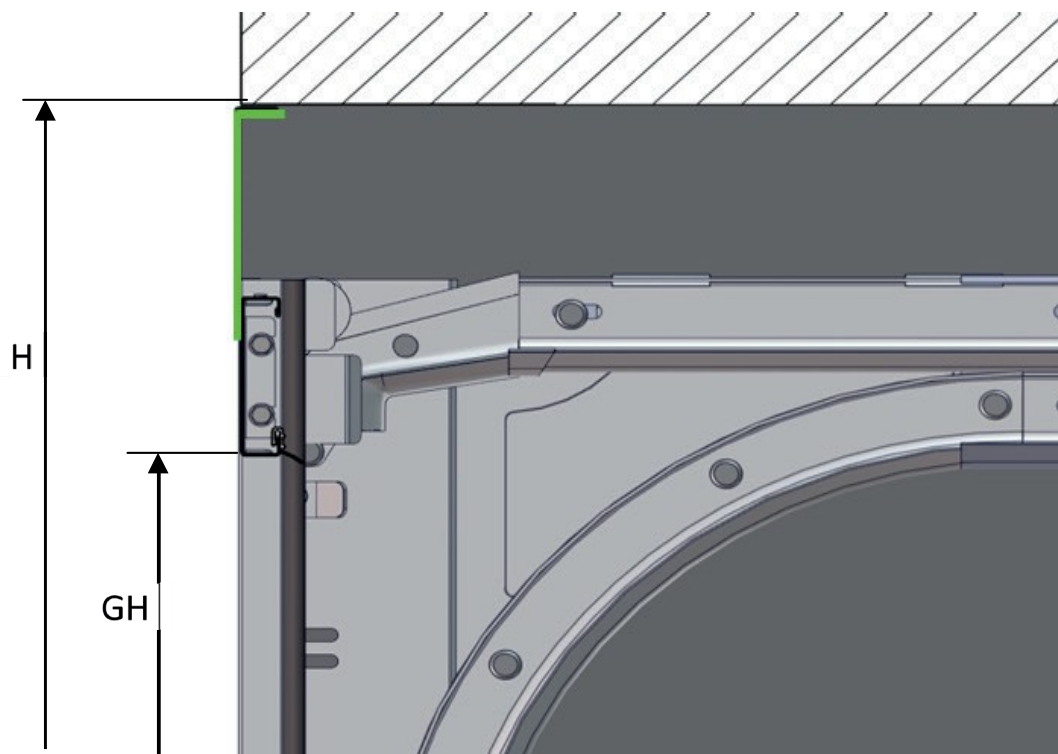
- **Installation to match the façade of the house.**

In cases of the installation matching the façade of the house, the cover horizontal "L" profile is always necessary. <sup>2\* 5\*</sup> You can find examples of fixation of the horizontal cover "L" profile in more details in the installation manual for the door EXT.

Option of installation of the horizontal cover "L" profile at:  $H - GH = 100$  to  $115$  mm.



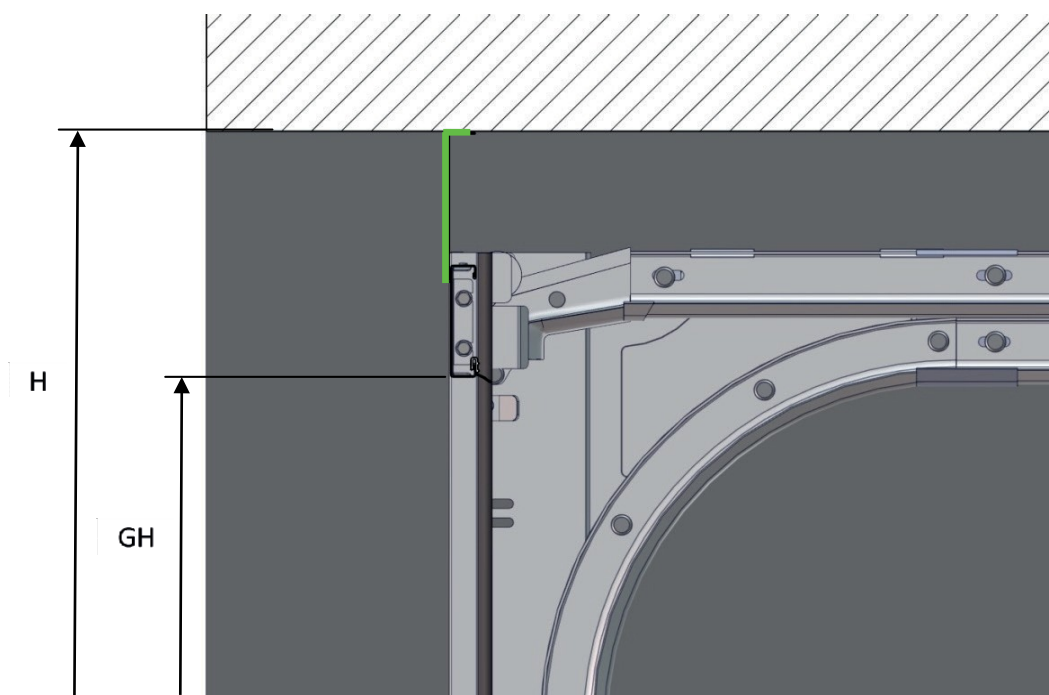
Option of installation of the horizontal cover "L" profile at:  $H - GH = 116$  to  $209$  mm.



- **Installation into opening**

In cases of the installation into opening, the cover horizontal "L" profile is always necessary. <sup>2\*</sup> <sup>5\*</sup>

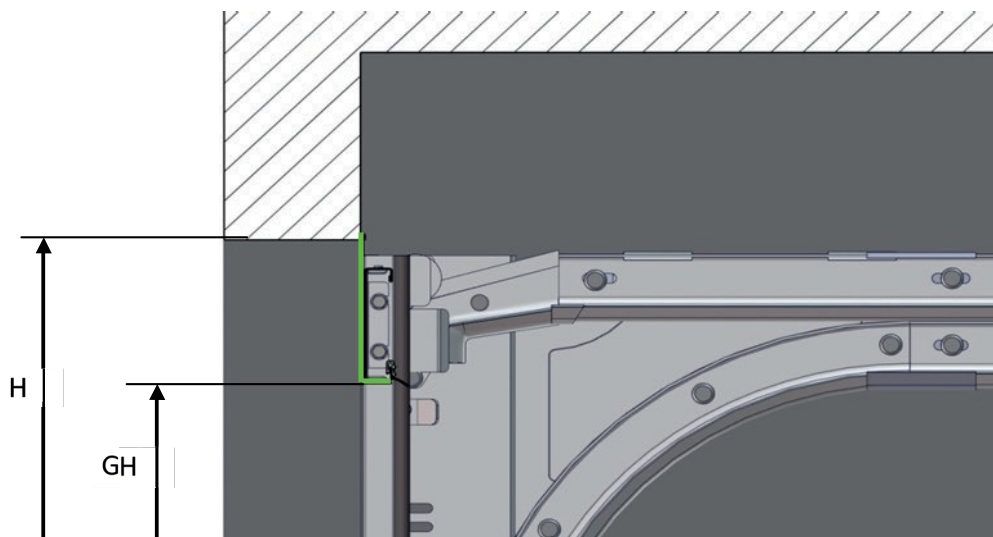
You can find examples of fixation of the horizontal cover "L" profile in more details in the installation manual for the door EXT.



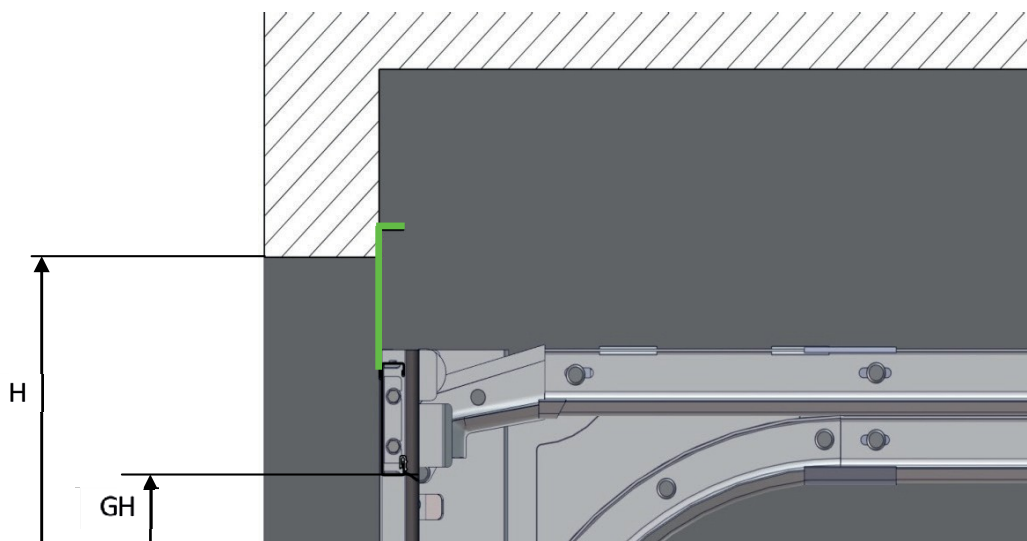
- **Installation behind the opening.**

In case of the installation behind the opening, the cover horizontal "L" profile is necessary at:  $H - GH \geq 85$  to 209 mm. <sup>2\* 5\*</sup> You can find examples of fixation of the horizontal cover "L" profile in more details in the installation manual for the door EXT.

Option of installation of the horizontal cover "L" profile at:  $H - GH = 85$  to 115 mm.



Option of installation of the horizontal cover "L" profile at:  $H - GH = 116$  to 209 mm.



1\* Sealing with broken thermal bridge may be used for the horizontal lintel profile in cases when the following formula applies:  $H - GH = 0$  to 75 mm.

2\* In cases when the following applies:  $H - GH \geq 210$  mm. It is not possible to use the horizontal cover of the "L" profile and it is necessary to use a false lintel.

3\* If sealing with broken thermal bridge on the vertical tracks is selected, sealing with broken thermal bridge is also pre-set automatically for the horizontal lintel profile. In the door configuration, it can be changed to horizontal low sealing or horizontal sealing covering the bottom edge of the lintel profile.

4\* We recommend using horizontal sealing covering the bottom edge of the lintel profile in case of the installation behind the opening in situations when the following applies:  $GH >$

5\* We deliver the horizontal cover "L" profile up to the maximum length of the profile of 2950 mm. In case of  $W > 2950$  mm, 2 pcs of the horizontal cover "L" profile with the length of 2100 mm will be delivered.

List of abbreviations:

H – Height of the construction opening [mm]

GH – General height (height of the set) [mm]

W – Width of the construction opening [mm]

FOW – Daylight opening width (distance between the vertical tracks) [mm]

If you have any question concerning  
this PRODUCT INFO, contact the firm TOORS.

[www.toors.cz](http://www.toors.cz)